



**TWO-M OPHTHOTRONICS  
PVT. LTD.**

Hi-Tech Ophtho Equipment



Motorized  
Instrument  
Table

Hi-Tech  
Ophtho  
Equipment

[www.twom.in](http://www.twom.in)

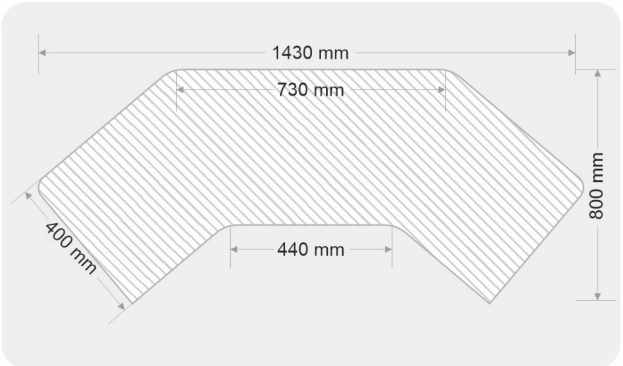
## MIT 2012 Z

Min. & Max. Height  
710\*910mm

Table Top Size  
1430\*400mm

Base Dimension  
760\*510mm

Gross Weight  
43 kg



### Motorized Instrument Table Common Features



Input  
Power  
**110/230V**



Foot  
control  
**Switch**



Wt. Lifting  
Capacity  
**100kg**



Power  
Cons.  
**50VA**



**TWO-M OPHTHOTRONICS  
PVT. LTD.**  
Hi-Tech Ophtho Equipment

## MIT 2012 R

Min. & Max. Height  
720\*920mm

Table Top Size  
560\*400mm

Base Dimension  
510\*540mm

Gross Weight  
22 kg



## MIT 2012 RD

Min. & Max. Height  
760\*960mm

Table Top Size  
560\*400mm

Base Dimension  
510\*540mm

Gross Weight  
28 kg



## MIT 2012 B

Min. & Max. Height  
720\*920mm

Table Top Size  
810\*400mm

Base Dimension  
510\*540mm

Gross Weight  
24 kg



----- Motorized Instrument Table -----

## MIT 2012 BD

Min. & Max. Height  
760\*960mm

Table Top Size  
810\*400mm

Base Dimension  
510\*540mm

Gross Weight  
32 kg



## MIT 2012 O

Min. & Max. Height  
710\*910mm

Table Top Size  
1040\*530mm

Base Dimension  
760\*510mm

Gross Weight  
43 kg



## MIT 2012 C

Min. & Max. Height  
710\*910mm

Table Top Size  
1040\*530mm

Base Dimension  
760\*510mm

Gross Weight  
43 kg



## MIT 2012 SL

Min. & Max. Height  
760\*960mm

Table Top Size  
810\*400mm

Base Dimension  
760\*510mm

Gross Weight  
43 kg



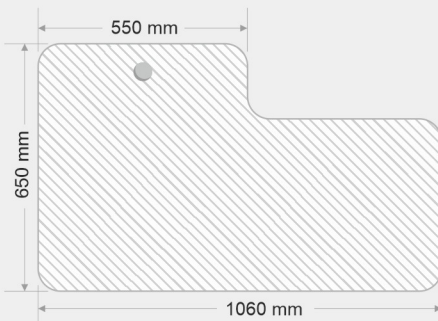
## MIT 2012 L

Min. & Max. Height  
710\*910mm

Table Top Size  
1060\*650mm

Base Dimension  
760\*510mm

Gross Weight  
43 kg



----- More Equipment -----



**ULTI24**  
PRO

**MOST  
ADVANCED  
OPERATION  
TABLE**



**DIGITAL  
REFRACTION UNIT**

**KEPLER - 17**

Led Touch Panel  
Automated Arm



**TWO-M OPHTHOTRONICS  
PVT. LTD.**

Hi-Tech Ophtho Equipment

Corporate Office : 101/102, Sahar Cargo Estate,  
V.M Shah Marg, Chakala, Andheri (East),  
Mumbai - 400 099, India.

Mo.: +91 9820351012 | +91 85913 77382

E : twom.mumbai@gmail.com

Factory Address : 35, Satnam Industrial Estate,  
Rakhiyal Nagarvel Hanuman Road, Amraiwadi,  
Ahmedabad - 380 026, India.

Mo.: +91 99786 02571 | +91 87782 17424

E : twomamd@gmail.com | twomaccamd@gmail.com